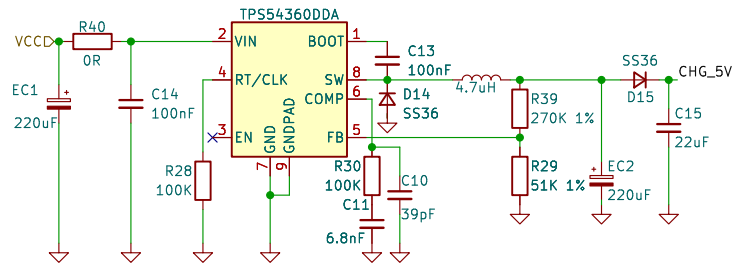
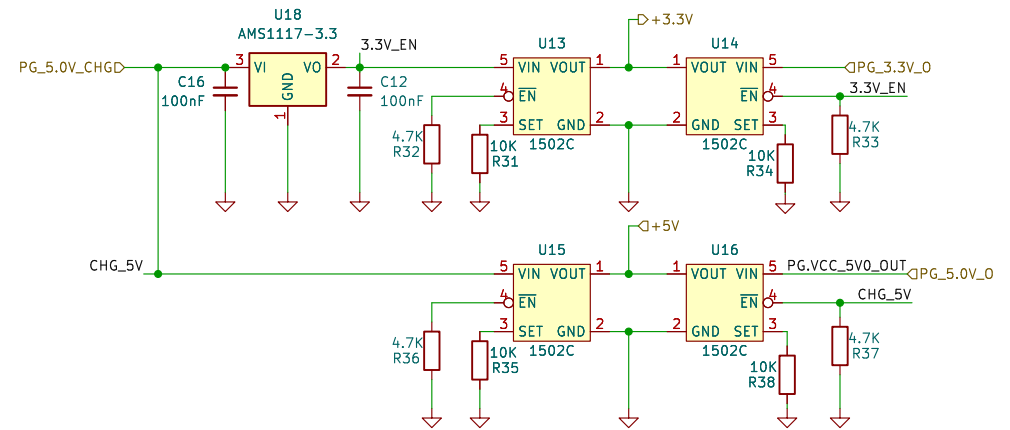


CHARGER



双电源切换



Project	WF1-RIMU	Name	I/O Expander	Num	0x0001	Designer	H.B	I2C	Y	UART	Y
	https://rimu.me		community.rimu.me		rimu@dengtec.com	Date	2024-12-10	SPI	N	UPGRADE	Y
						Rev	0.6	A4		2/2	