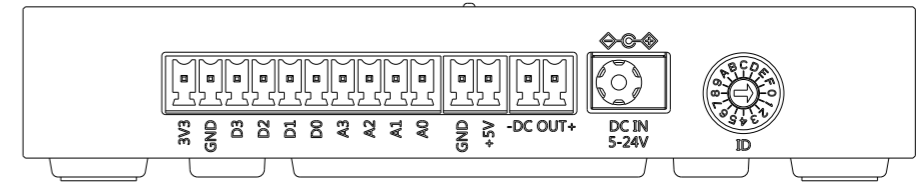


A B C D E F G H

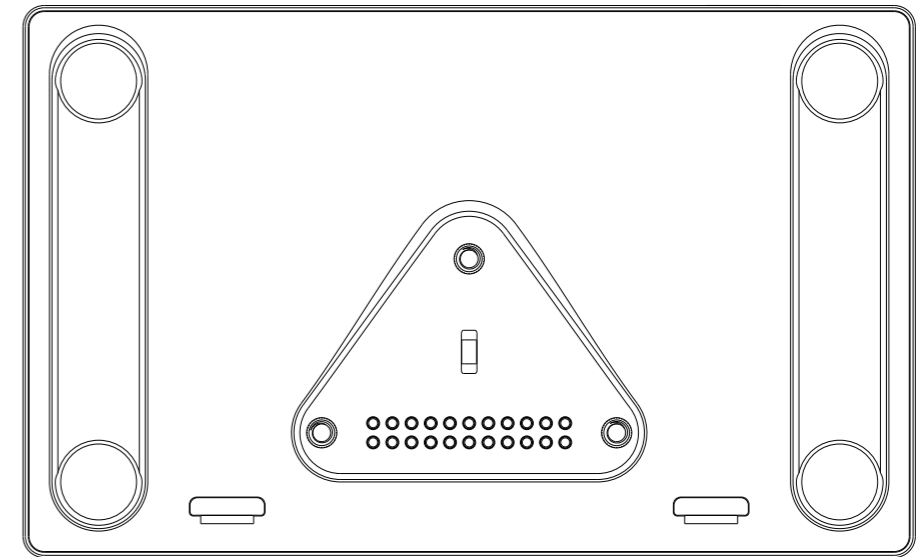
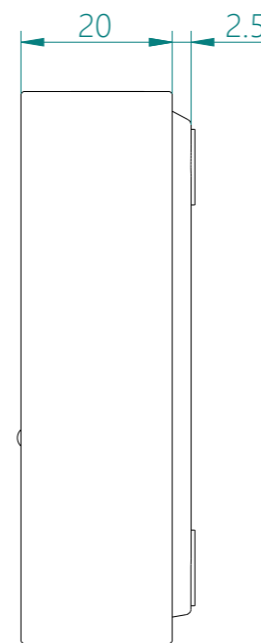
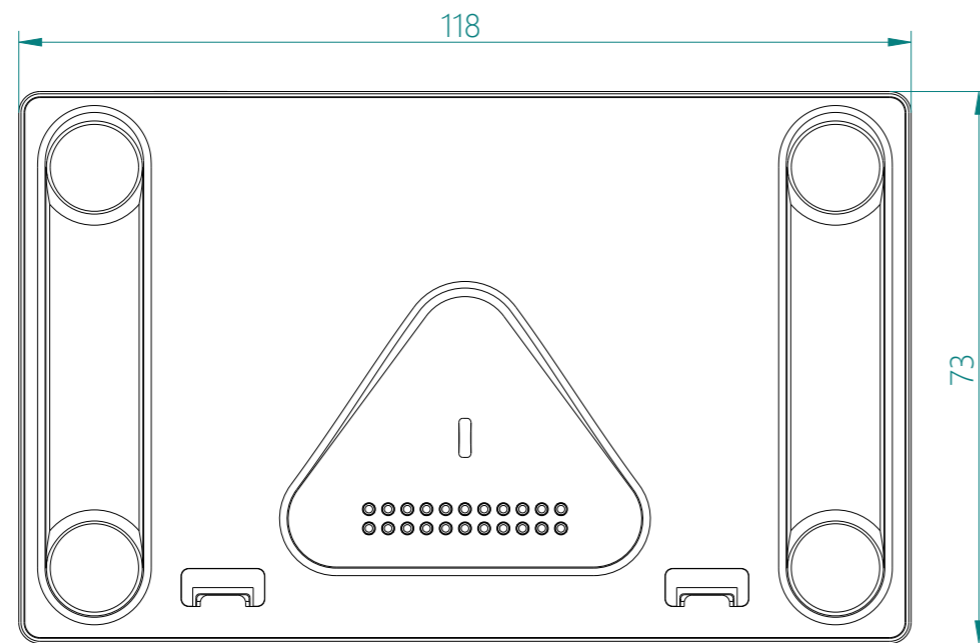
6

6



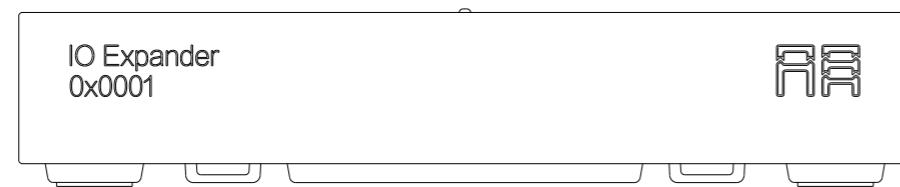
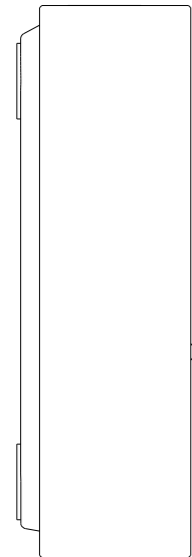
5

5



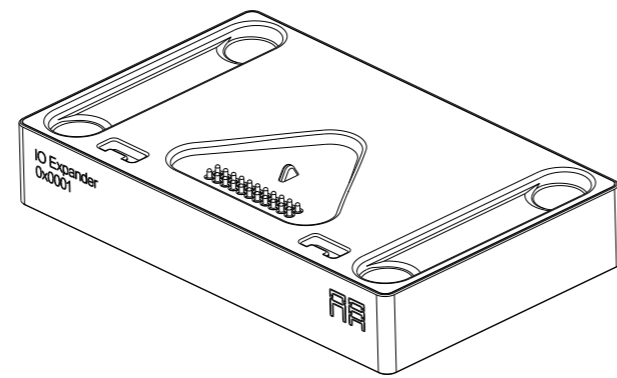
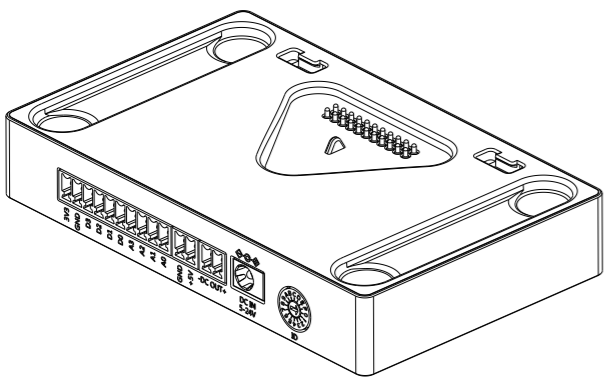
4

4



3

3



2

2

Rev	Date	By	Remark
		Material:	TOLERANCE
		Weight: 113.36g	0<D<3mm ±0.02mm 3<D<10mm ±0.05mm 10<D<30mm ±0.10mm 30<D<120mm ±0.15mm 120<D<400mm ±0.20mm
		Thickness:	±0.05mm ±0.10mm ±0.20mm ±0.30mm ±0.50mm
		Finish:	±0.10mm ±0.15mm ±0.25mm ±0.50mm ±0.80mm
PART NAME: IO Expander		Part No: 0x0001	Model Name: Extend-20
PROJECT NAME: WF1		Scale: 1:1	Units: mm Date: 2024-08-19
		Draw BY: <i>Jxm</i>	Check BY: A3

1

1

A B C D E F G H