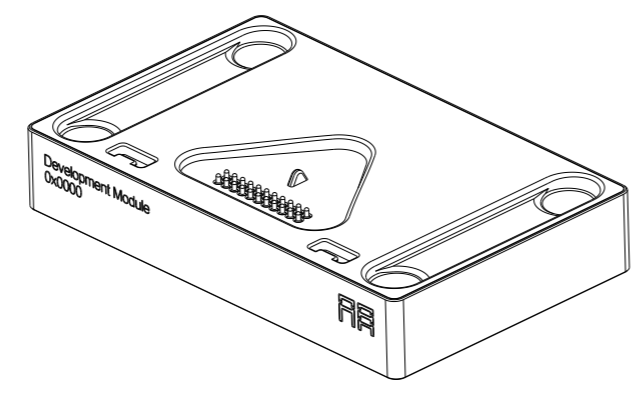
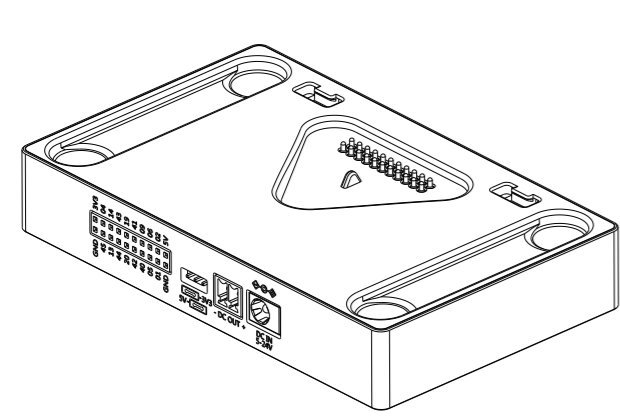
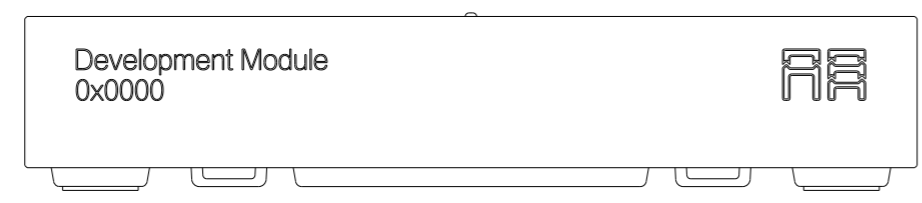
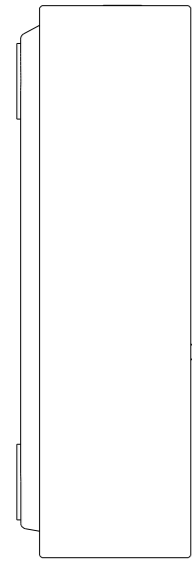
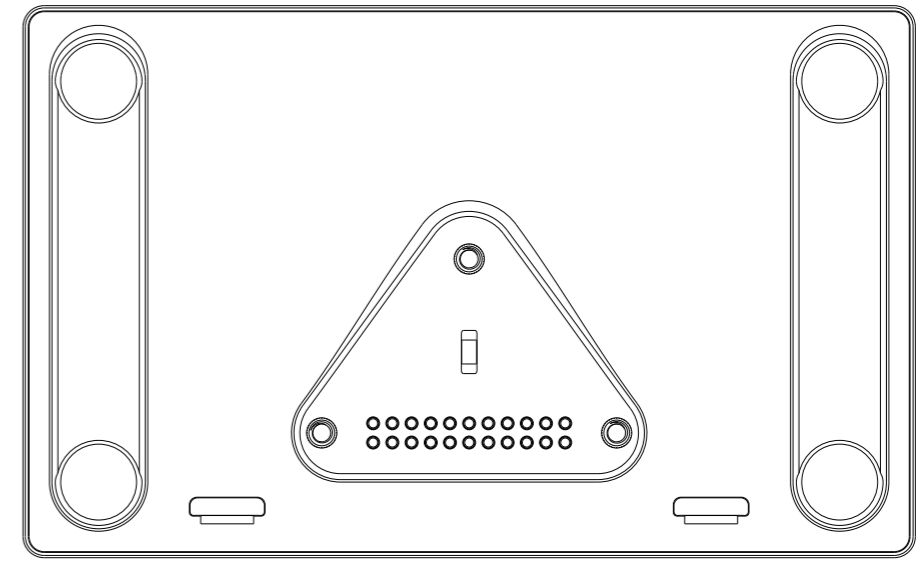
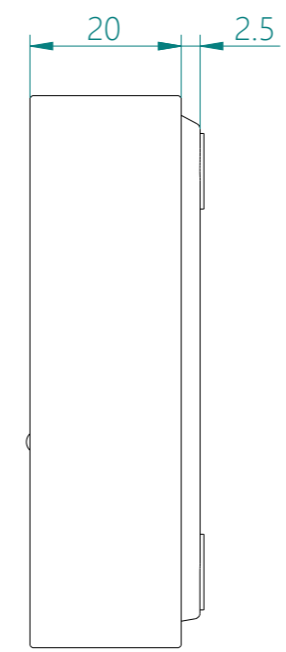
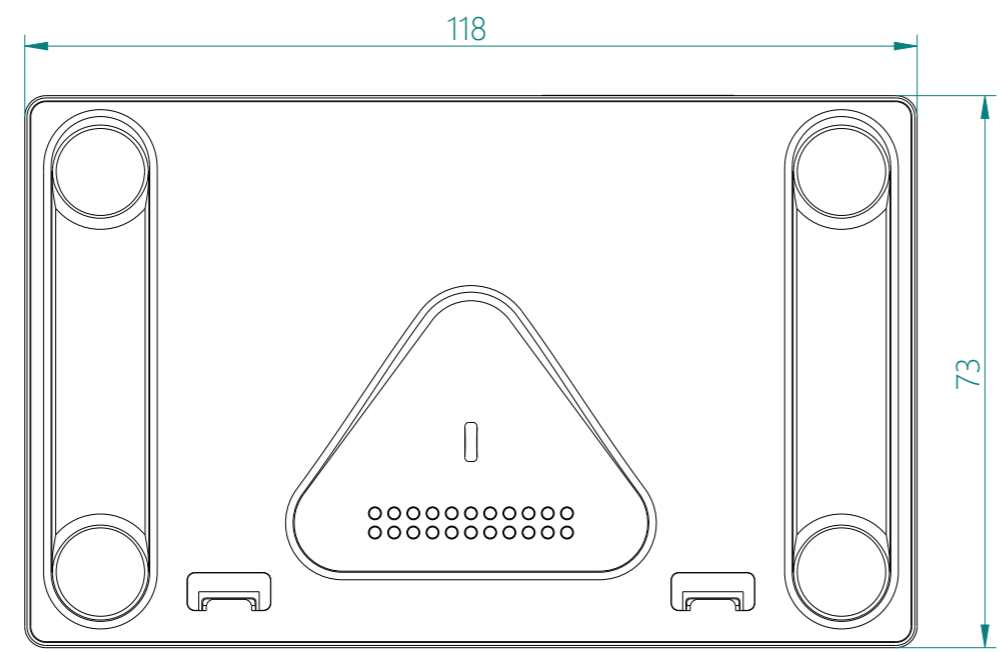
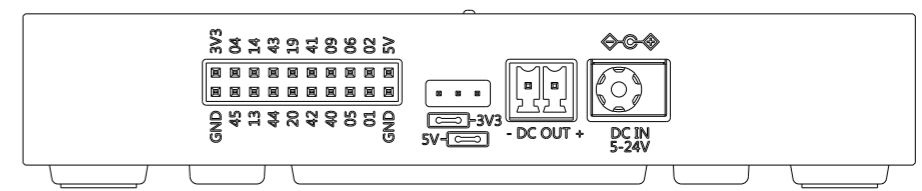


A B C D E F G H

6

6



Rev	Date	By	Remark																								
		Material:	<table border="1"> <thead> <tr> <th colspan="4">TOLERANCE</th> </tr> <tr> <th>0<D<3mm</th> <th>±0.02mm</th> <th>±0.05mm</th> <th>±0.10mm</th> </tr> </thead> <tbody> <tr> <td>3<D<10mm</td> <td>±0.05mm</td> <td>±0.10mm</td> <td>±0.15mm</td> </tr> <tr> <td>10<D<30mm</td> <td>±0.10mm</td> <td>±0.20mm</td> <td>±0.25mm</td> </tr> <tr> <td>30<D<120mm</td> <td>±0.15mm</td> <td>±0.30mm</td> <td>±0.50mm</td> </tr> <tr> <td>120<D<400mm</td> <td>±0.20mm</td> <td>±0.50mm</td> <td>±0.80mm</td> </tr> </tbody> </table>	TOLERANCE				0<D<3mm	±0.02mm	±0.05mm	±0.10mm	3<D<10mm	±0.05mm	±0.10mm	±0.15mm	10<D<30mm	±0.10mm	±0.20mm	±0.25mm	30<D<120mm	±0.15mm	±0.30mm	±0.50mm	120<D<400mm	±0.20mm	±0.50mm	±0.80mm
TOLERANCE																											
0<D<3mm	±0.02mm	±0.05mm		±0.10mm																							
3<D<10mm	±0.05mm	±0.10mm		±0.15mm																							
10<D<30mm	±0.10mm	±0.20mm	±0.25mm																								
30<D<120mm	±0.15mm	±0.30mm	±0.50mm																								
120<D<400mm	±0.20mm	±0.50mm	±0.80mm																								
		Weight:	113.36g																								
		Thickness:																									
		Finish:																									
PART NAME: Development_Module		Part No:	0x0000																								
PROJECT NAME: WF1		Scale:	1:1																								
		Model Name:	Extend-20																								
		Units:	mm																								
		Date:	2024-08-19																								
		Draw BY:	<i>Jxm</i>																								
		Check BY:																									
			A3																								

1

1

A B C D E F G H