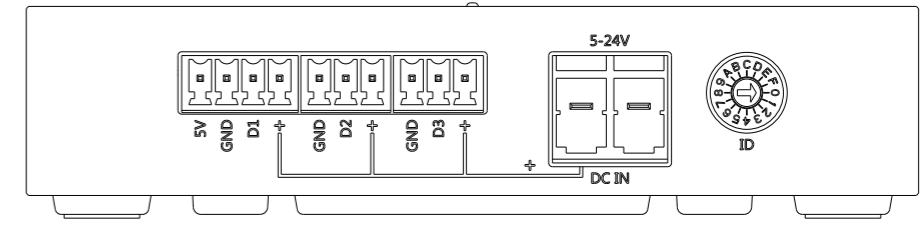


A B C D E F G H

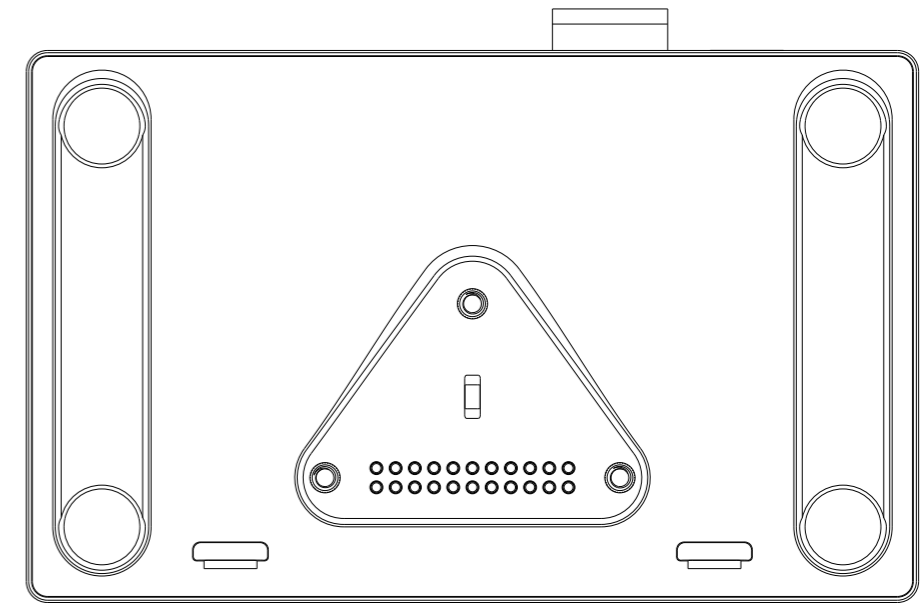
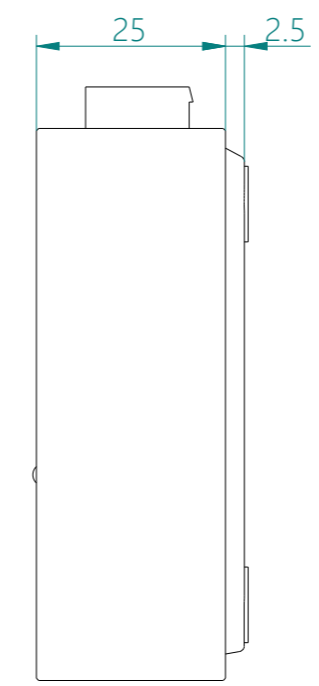
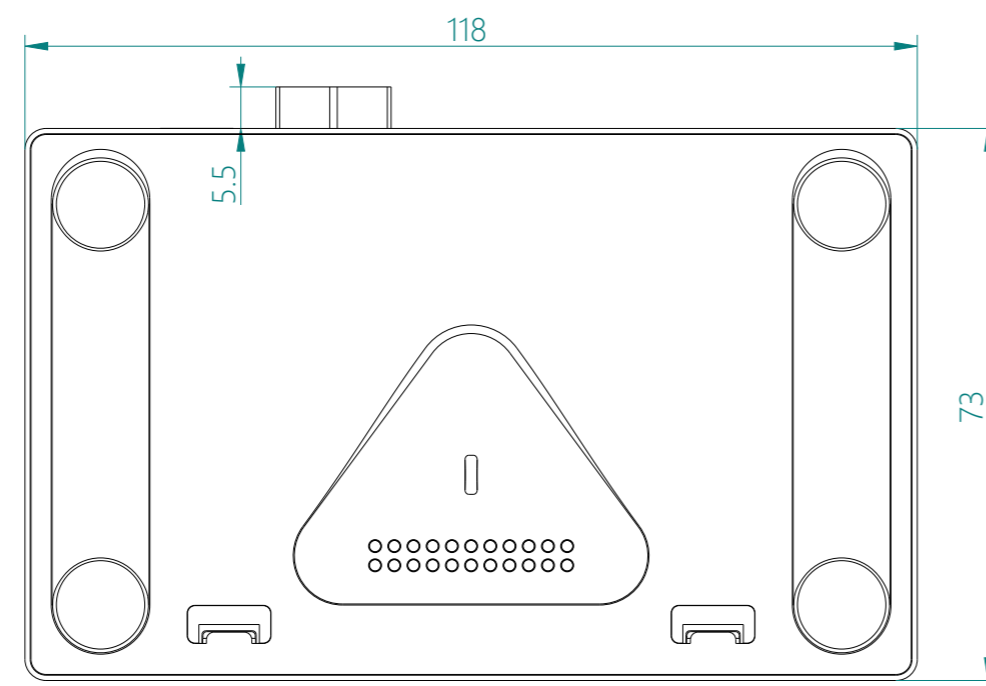
6

6



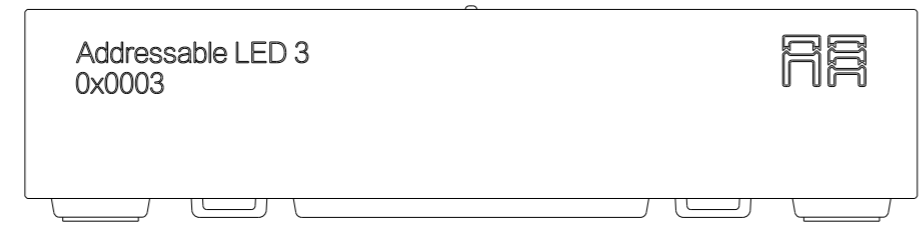
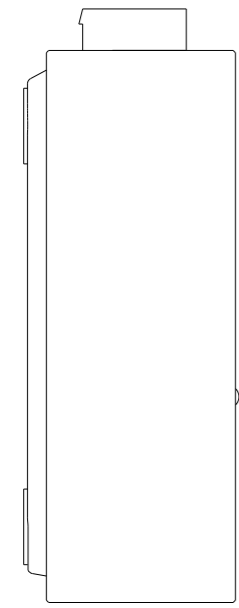
5

5



4

4

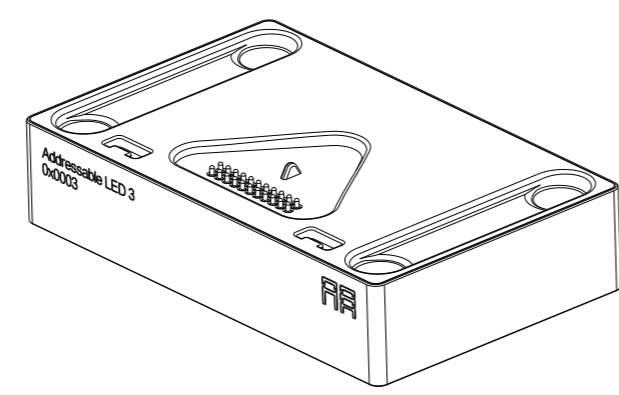
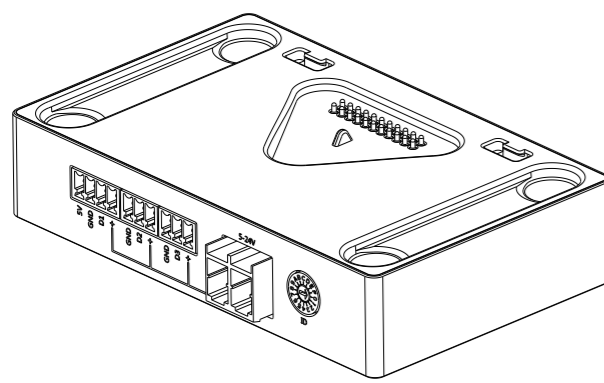


3

3


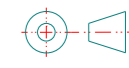
2

2



1

1

Rev	Date	By	Remark		
 DENGTEC www.dengtec.com	Material:	TOLERANCE			
	Weight: 120.44g	0<D<3mm	± 0.02mm	± 0.05mm	± 0.10mm
	Thickness:	3<D<10mm	± 0.05mm	± 0.10mm	± 0.15mm
	Finish:	10<D<30mm	± 0.10mm	± 0.20mm	± 0.25mm
		30<D<120mm	± 0.15mm	± 0.30mm	± 0.50mm
		120<D<400mm	± 0.20mm	± 0.50mm	± 0.80mm
PART NAME: Addressable_LED_3		Part No: 0x0003	Model Name: Extend-25		
PROJECT NAME: WF1		Scale: 1:1	Units: mm		
		Draw BY: <i>Jxm</i>	Check BY:		
		Date: 2024-08-19			
		 A3			

A B C D E F G H