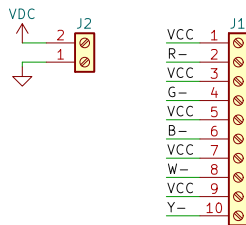
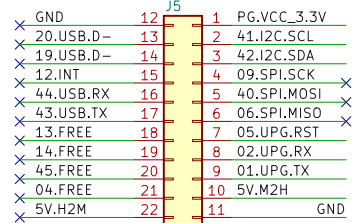


CONNECTOR POGO PIN

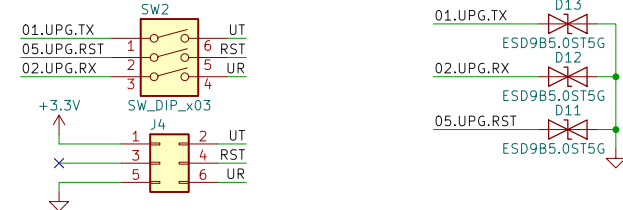


Notes:  
 1.J1 / OUTPUT, Phonenix Contact 3.5x10  
 Max Current: 5A/Channel  
 2.J2 / INPUT, Phonenix Contact 7.62x2  
 5-24vDC, Max Current: 20A

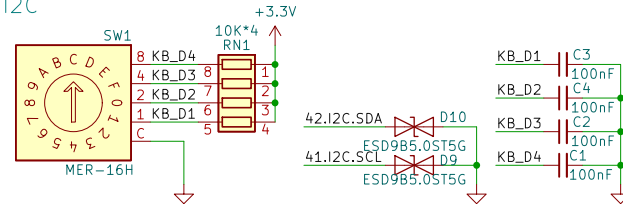


pogo in 2x11

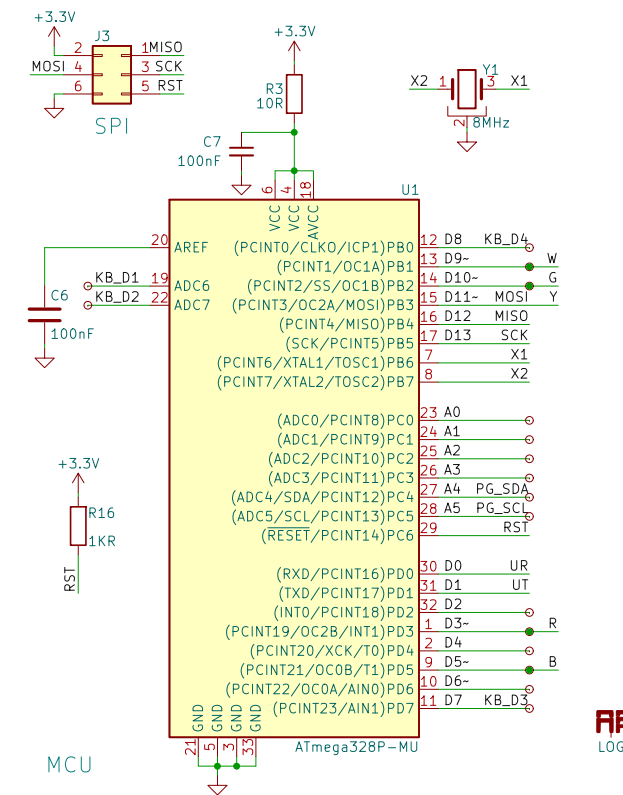
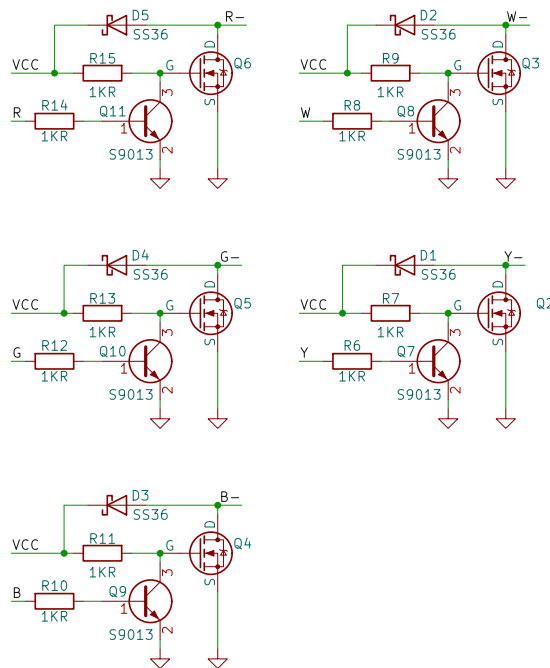
UART



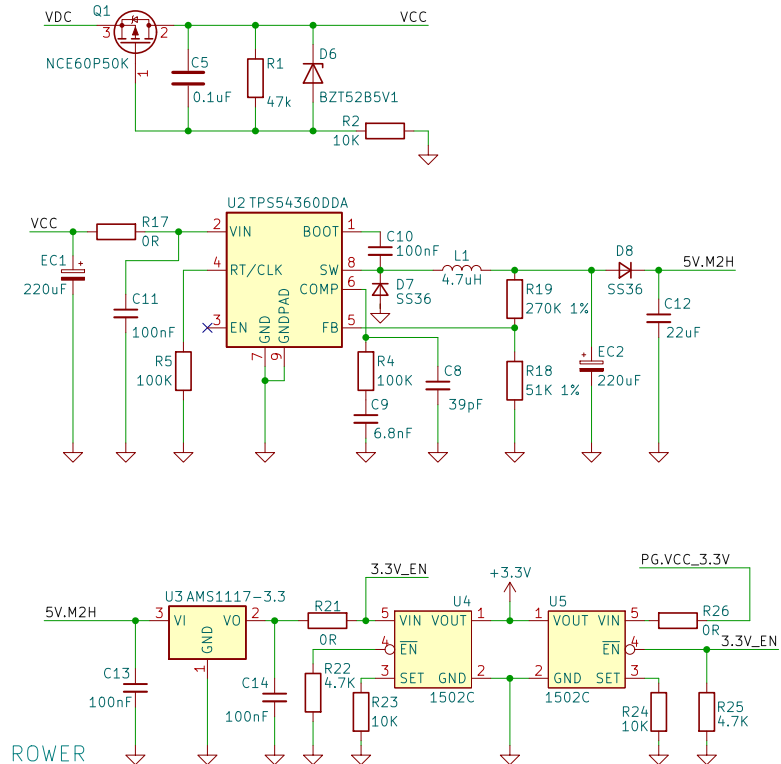
I2C



RGBWY LED



Notes:  
 R/G/B/W/Y High level ON



POWER

Notes:  
 1.5v to 3.3v, 16MHz to 8MHz

Project	WF1-RIMU	Name	WF1-PWM_SW_5	Num	0x0002	Designer	H.B	I2C	Y	UART	Y
	https://rimu.me   community.rimu.me   rimu@dengtec.com			Date	2024-12-10	Rev	0.6	SPIN	UPGRADE	Y	
								A4		1/1	

