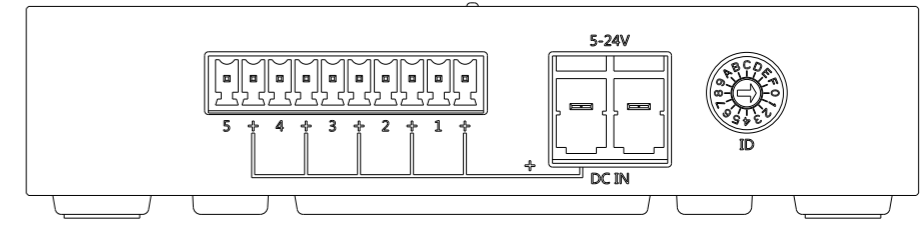


A B C D E F G H

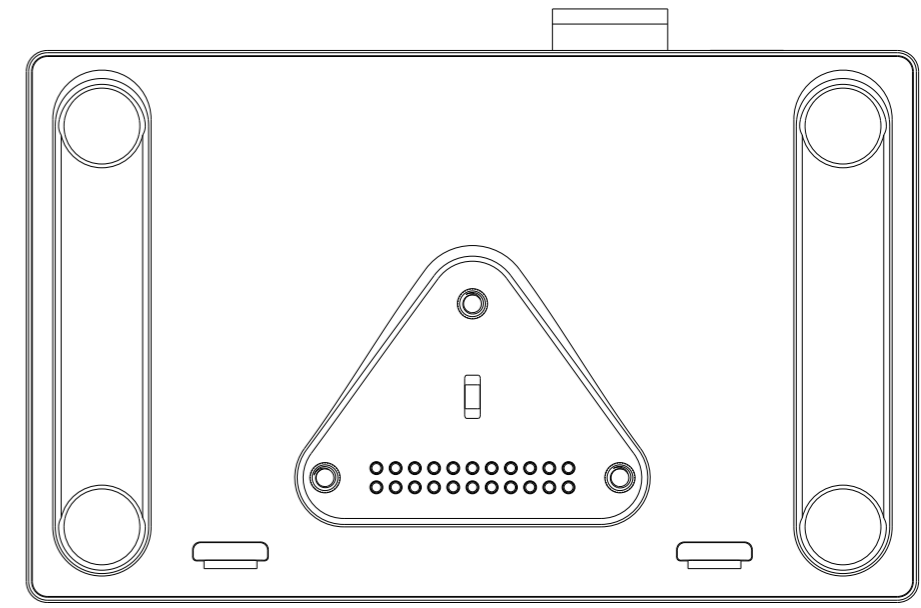
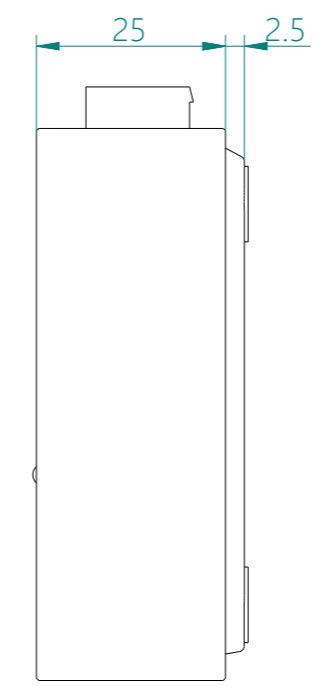
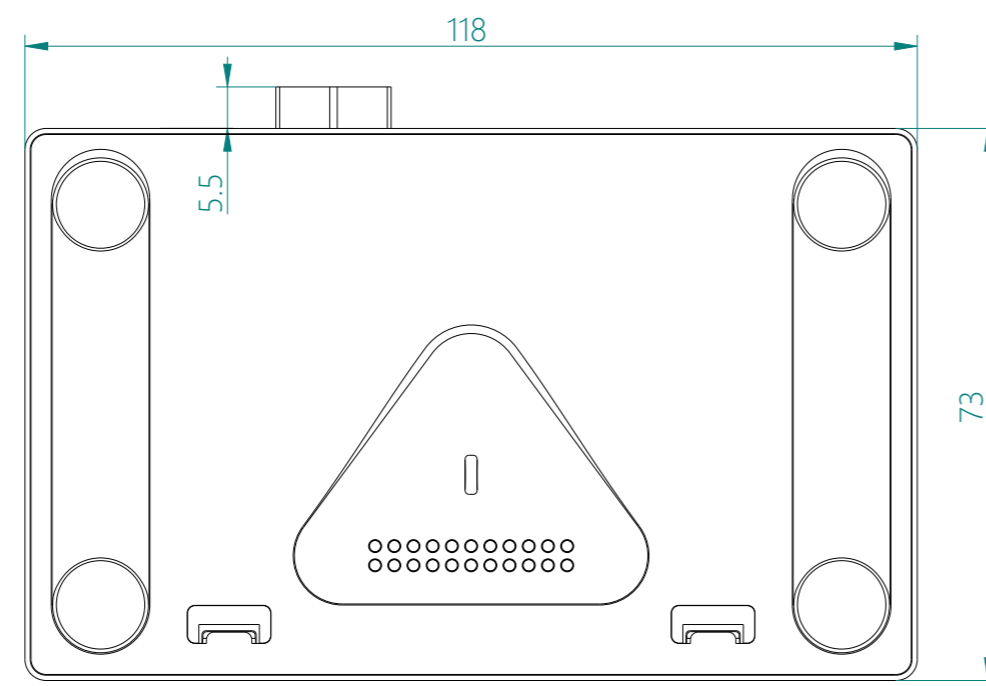
6

6



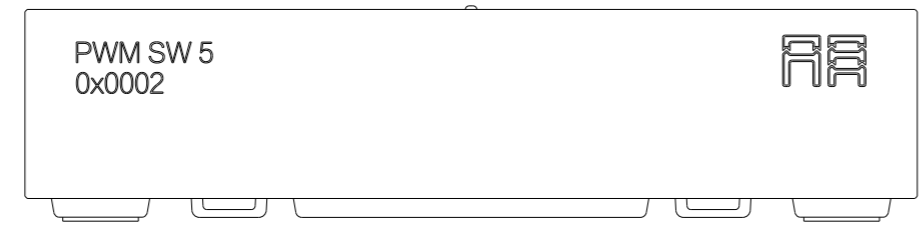
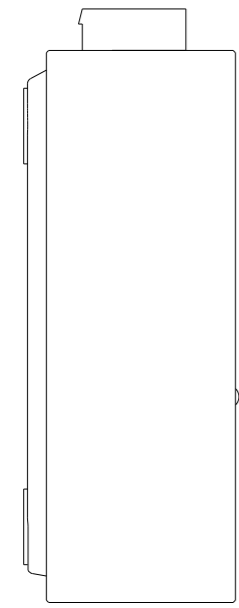
5

5



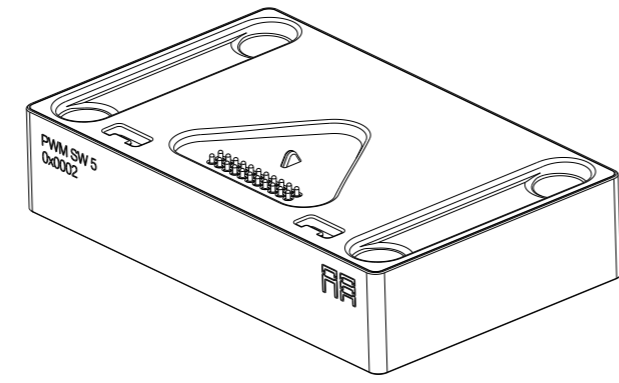
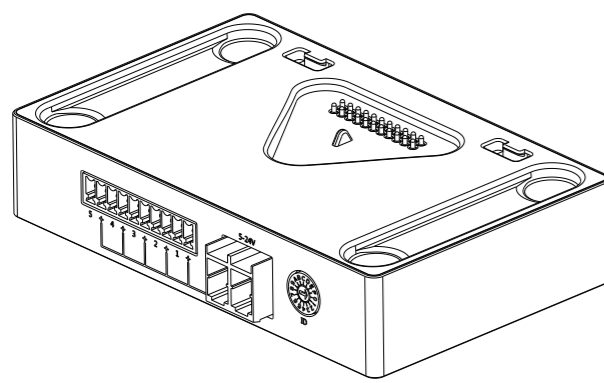
4

4




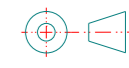
3

3



2

2

Rev	Date	By	Remark																								
 DENGTEC www.dengtec.com	Material:	<table border="1"> <thead> <tr> <th colspan="4">TOLERANCE</th> </tr> <tr> <th>0<D<3mm</th> <th>±0.02mm</th> <th>±0.05mm</th> <th>±0.10mm</th> </tr> </thead> <tbody> <tr> <td>3<D<10mm</td> <td>±0.05mm</td> <td>±0.10mm</td> <td>±0.15mm</td> </tr> <tr> <td>10<D<30mm</td> <td>±0.10mm</td> <td>±0.20mm</td> <td>±0.25mm</td> </tr> <tr> <td>30<D<120mm</td> <td>±0.15mm</td> <td>±0.30mm</td> <td>±0.50mm</td> </tr> <tr> <td>120<D<400mm</td> <td>±0.20mm</td> <td>±0.50mm</td> <td>±0.80mm</td> </tr> </tbody> </table>		TOLERANCE				0<D<3mm	±0.02mm	±0.05mm	±0.10mm	3<D<10mm	±0.05mm	±0.10mm	±0.15mm	10<D<30mm	±0.10mm	±0.20mm	±0.25mm	30<D<120mm	±0.15mm	±0.30mm	±0.50mm	120<D<400mm	±0.20mm	±0.50mm	±0.80mm
	TOLERANCE																										
	0<D<3mm			±0.02mm	±0.05mm	±0.10mm																					
	3<D<10mm			±0.05mm	±0.10mm	±0.15mm																					
10<D<30mm	±0.10mm	±0.20mm	±0.25mm																								
30<D<120mm	±0.15mm	±0.30mm	±0.50mm																								
120<D<400mm	±0.20mm	±0.50mm	±0.80mm																								
Weight: 120.44g																											
Thickness:																											
Finish:																											
PART NAME: PWM_SW_5	Part No: 0x0002	Model Name:	Extend-25																								
PROJECT NAME: WF1	Scale: 1:1	Units: mm	Date: 2024-08-19																								
	Draw BY: <i>Jxm</i>	Check BY:	 A3																								

1

1

A B C D E F G H